



**TIMPTE**  
EQUIPMENT TRAILERS & CAR HAULERS

# THE ADVANTAGES OF OWNING A TIMPTE ALUMINUM TRAILER



## MECHANICALLY FASTENED JOINTS

Timpte is committed to building the highest quality trailer in the market. By building our trailers using mechanically fastened joints we can achieve maximum strength, durability, and longevity out of the aluminum. Other aluminum trailer manufacturers rely on welding to assemble their trailers. Welding is a cheap and easy construction method, but ultimately reduces the structural integrity of an aluminum trailer by up to 40%.

### Benefits of Mechanically Fastened Joints

#### Structural Integrity

By using mechanically fastened joints instead of structural welds the trailer integrity is never weakened.

#### Maintenance & Repairs

Fastened joints can be easily inspected, adjusted, or replaced when needed. Welds are more difficult and expensive to repair.

#### Avoid Fatigue Cracking & Failure

Structural welds are more prone to cracking and fatigue than mechanical fasteners. If a weld flexes the failure can be catastrophic.

#### Meticulous Craftsmanship

Building a trailer using mechanical fasteners requires meticulous craftsmanship and attention to detail. Each component must be consistent.

## LIGHTWEIGHT MATERIAL

Aluminum is a lightweight and durable material. At roughly 1/3 the density of steel, aluminum's low profile can provide benefits that its steel counterparts cannot.

### Increased Fuel Economy

- An extra 100 lbs. in your vehicle could reduce your MPG by up to 2% (U.S. Dept. of Energy).
- Here's an example, our Ramped 1018 Flat Deck Trailer can weigh up to 600 lbs. less than the competition, so you could see the following fuel savings:

Fuel Economy Benefit: + 6-12%

Fuel Cost Savings (Per gallon): + \$0.24 - \$0.42

### Easier on You & Your Vehicle

- Experience less toll on the towing vehicle.
  - Less engine strain
  - Improved tire longevity
- It's easier to maneuver a trailer that weighs less, whether it's loaded or unloaded.

### Higher Strength-to-Weight Ratio

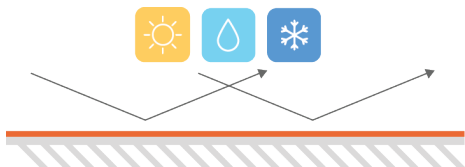
- Allows you to maximize your loads and carry a higher load capacity than steel trailers with the same GVWR.

## DURABILITY

Part of what makes aluminum so durable is its resistance to corrosion. Durability plays an important role in aluminum trailers holding their value over time. Aluminum trailers can stay looking and performing like new.

### Resistance to Corrosion

- Aluminum alloy extrusions generally do not rust because aluminum forms a protective oxide layer when exposed to air, preventing corrosion.
  - Even after being exposed to harsh weather conditions.
  - Avoid costly repairs from rust related issues.



### Minimal Maintenance & Repairs

- Only routine maintenance is required.
- Less likely to sustain costly damage over time.
- Easily restore the exterior of your trailer with an acid wash to keep that shiny new look.

### Higher Resale Value

- The durability of an aluminum trailer helps to preserve its value over time. It's simple, a used trailer in good condition is worth more than one that is damaged or starting to rust.



## LINCOLN MANUFACTURING CENTER

Timpte's brand-new Lincoln Manufacturing Center marks a major milestone in our mission to lead the trailer industry in quality, innovation, and customer service. This 190,000 sq. ft., \$30 million facility is home to Timpte Equipment Trailers, Thunderstone Manufacturing, and the Timpte Parts Center. This state-of-the-art facility expands our production capabilities and speeds up product development, allowing us to bring new trailer designs to market faster than ever.

With advanced systems like precision cutting, high-speed machining, and a cutting-edge powder-coat paint line, we're setting a new standard for trailer manufacturing - backed by our commitment to quality, durability, and performance.

At the heart of the Lincoln Manufacturing Center is the Timpte Parts Center, dedicated to keeping your trailers on the road and your business running smoothly. We're here to provide the reliable parts you need and the expert support you deserve. Our knowledgeable team is always ready to help with any questions, ensuring fast, responsive service every step of the way.

Timpte's Lincoln Manufacturing Center isn't just a production facility - it's the future of trailer innovation.



## TIMPTE RESEARCH & DEVELOPMENT CENTER

At Timpte, we are deeply committed to building the highest quality trailers on the market. Our state-of-the-art Research & Development Center is the driving force behind our innovation, allowing our team of dedicated engineers to test, refine, and perfect every aspect of our trailers. Each component undergoes rigorous testing, from stress analysis and durability assessments to real-world performance trials, ensuring it meets our strict standards for quality and performance.

### Engineered to Exceed Expectations

Our commitment to innovation is matched by our dedication to reliability; every trailer we produce is a reflection of our brand's legacy of performance and durability. Backed by a reputation for excellence, each Timpte trailer is engineered not only to meet customer expectations but to exceed them, providing dependable performance year after year.

### Pushing the Boundaries of Trailer Design

In our pursuit of excellence, Timpte engineers continuously push the boundaries of trailer design, experimenting with advanced materials and cutting-edge technologies. Through this exploration, we develop innovative features that enhance functionality, safety, and ease of use, setting new industry standards and delivering solutions that anticipate our customers' evolving needs.





## POWERED EZ LOAD DECK SYSTEM

Raise and lower your deck bed with one push of a button on your wireless remote or use the main switch located in the toolbox. Trailer features a four-degree approach angle and can be loaded or unloaded without the need for ramps. Deter thieves and save space by storing equipment on the trailer in its lowered position while not in use.



## RAMPED SYSTEMS

Designed to meet the diverse needs of our customers, our ramped trailers provide a multi-purpose hauling solution suitable for a wide range of applications. Featuring easy-to-use ramps for efficient loading and unloading.



## ALL ALUMINUM CONSTRUCTION

The extra hauling capacity you want and the strength you need! Mechanically fastened joints replace failure-prone structural aluminum welds. Proprietary extruded aluminum components such as the main c-channel frame, side rails and deck material enable these lightweight trailers to deliver reliable performance that is easy to haul.



Model	GVW	Usable Deck Size	Empty Weight
514	5,000	14' x 78"	Est. 1,280 lbs.



**POWERED EZ LOAD DECK SYSTEM**

STANDARD SPECIFICATIONS	514
Overall Width	102"
Overall Length	19' 1"
Payload Capacity	3,720 lbs.
Tongue Length	61"
Deck Height	18"
Loading Angle	<4°
Wheel Size	15"
Tires	ST225/75R15E - 10 ply
Number of Lug Bolts	6 per wheel (12)
Axle/Suspension	Torsion
Brakes	Electric Self Adjusting
Coupler	2-5/16"
Coupler Position	Fixed
Jack Style	Top Crank
Jack Rating	2,000 lbs.
Tie-Downs	(4) D-Rings <i>(20) Mounting Locations - (8) per side, (4) in front</i>
Lighting	LED

# MOTORSPORTS SERIES



**POWERED EZ LOAD DECK SYSTEM**

Model	GVW	Usable Deck Size	Empty Weight
720	7,000	19' 6" x 82.5"	Est. 1,980 lbs.

## STANDARD SPECIFICATIONS

STANDARD SPECIFICATIONS	720
Overall Width	102"
Overall Length	24' 5"
Payload Capacity	5,020 lbs.
Tongue Length	61"
Deck Height	22.5"
Loading Angle	<4°
Wheel Size	14"
Tire Size	ST205/75R14D - 8 ply
Number of Lug Bolts	5 per wheel (20)
Axle/Suspension	Torsion
Brakes	Electric Self-Adjusting
Coupler	2-5/16"
Coupler Position	Adjustable
Jack Style	Top Crank
Jack Rating	2,000 lbs.
Tie-Downs	(4) D-Rings <i>(24) Mounting Locations - (10) per side, (4) in front</i>
Lighting	LED



**POWERED EZ LOAD DECK SYSTEM**

Model	GVW	Usable Deck Size	Empty Weight
1020	10,000	19' 6" x 81"	Est. 2,420 lbs.
1026	10,000	26' x 81"	Est. 2,640 lbs.

STANDARD SPECIFICATIONS	1020	1026
Overall Width	102"	102"
Overall Length	24' 6"	31' 2"
Payload Capacity	7,580 lbs.	7,360 lbs.
Tongue Length	61"	58.5"
Deck Height	24"	24"
Loading Angle	<4°	<4°
Wheel Size	15"	15"
Tire Size	ST225/75R15E - 10 ply	ST225/75R15E - 10 ply
Number of Lug Bolts	6 per wheel (24)	6 per wheel (24)
Axle/Suspension	Torsion	Torsion
Brakes	Electric Self-Adjusting	Electric Self-Adjusting
Coupler	2-5/16"	2-5/16"
Coupler Position	Adjustable	Adjustable
Jack Style	Side Crank	Side Crank
Jack Rating	2,000 lbs.	2,000 lbs.
Tie-Downs	Standard with (4) movable D-Rings and an integrated L-Track on the front and on both sides of the deck.	Standard with (4) movable D-Rings and an integrated L-Track on the front and on both sides of the deck.
Stake Pockets	4	8
Lighting	LED	LED

# MOTORSPORTS SERIES



Model	GVW	Usable Deck Size	Empty Weight
718	7,000	18' x 82.5"	Est. 1,580 lbs.
720	7,000	20' x 82.5"	Est. 1,760 lbs.

**TIMPTE**  
MOTORSPORTS

**RAMPED**

**FK**  
**SERIES**

**FLAT DECK**



**RAMPED SYSTEM**

## STANDARD SPECIFICATIONS

	718 Ramped Flat	720 Ramped Flat
Overall Width	102"	102"
Overall Length	23' 2"	25' 2"
Payload Capacity	5,420 lbs.	5,240 lbs.
Ramp Length	6'	6'
Tongue Length	57"	57"
Deck Height	24"	24"
Loading Angle	18°	18°
Wheel Size	14"	14"
Tires	ST205/75R14D - 8 ply	ST205/75R14D - 8 ply
Number of Lug Bolts	5 per wheel (20)	5 per wheel (20)
Axle/Suspension	Torsion	Torsion
Brakes	Electric Self-Adjusting	Electric Self-Adjusting
Coupler	2-5/16"	2-5/16"
Coupler Position	Fixed	Fixed
Jack Style	Side Crank	Side Crank
Jack Rating	3,000 lbs.	3,000 lbs.
Tie-Downs	(4) D-Rings in Deck, (4) D-Rings in L-Track	(4) D-Rings in Deck, (4) D-Rings in L-Track
Lighting	LED	LED



**RAMPED**  
**10K**  
**SERIES**  
**FLAT DECK**



Model	GVW	Usable Deck Size	Empty Weight
1018	10,000	18' x 82.5"	Est. 1,900 lbs.
1020	10,000	20' x 82.5"	Est. 2,040 lbs.

STANDARD SPECIFICATIONS	1018 Ramped Flat	1020 Ramped Flat
Overall Width	102"	102"
Overall Length	23' 2"	25' 2"
Payload Capacity	8,150 lbs.	8,050 lbs.
Ramp Length	6'	6'
Tongue Length	57"	57"
Deck Height	25"	25"
Loading Angle	19°	19°
Wheel Size	15"	15"
Tires	ST225/75R15E - 10 ply	ST225/75R15E - 10 ply
Number of Lug Bolts	6 per wheel (24)	6 per wheel (24)
Axle/Suspension	Torsion	Torsion
Brakes	Electric Self-Adjusting	Electric Self-Adjusting
Coupler	2-5/16"	2-5/16"
Coupler Position	Fixed	Fixed
Jack Style	Side Crank	Side Crank
Jack Rating	3,000 lbs.	3,000 lbs.
Tie-Downs	(4) D-Rings in Deck, (4) D-Rings in L-Track	(4) D-Rings in Deck, (4) D-Rings in L-Track
Lighting	LED	LED

# MOTORSPORTS SERIES



**RAMPED SYSTEM**

Model	GVW	Usable Deck Size	Empty Weight
718	7,000	18' x 82.5"	Est. 1,580 lbs.
720	7,000	20' x 82.5"	Est. 1,760 lbs.

STANDARD SPECIFICATIONS	718 Beavertail	720 Beavertail
Overall Width	102"	102"
Overall Length	23' 2"	25' 2"
Payload Capacity	5,420 lbs.	5,240 lbs.
Beavertail Length	24"	24"
Ramp Length	6'	6'
Tongue Length	57"	57"
Deck Height	24"	24"
Loading Angle	14°	14°
Wheel Size	14"	14"
Tires	ST205/75R14D - 8 ply	ST205/75R14D - 8 ply
Number of Lug Bolts	5 per wheel (20)	5 per wheel (20)
Axle/Suspension	Torsion	Torsion
Brakes	Electric Self-Adjusting	Electric Self-Adjusting
Coupler	2-5/16"	2-5/16"
Coupler Position	Fixed	Fixed
Jack Style	Side Crank	Side Crank
Jack Rating	3,000 lbs.	3,000 lbs.
Tie-Downs	(4) D-Rings in Deck, (4) D-Rings in L-Track	(4) D-Rings in Deck, (4) D-Rings in L-Track
Lighting	LED	LED



Model	GVW	Usable Deck Size	Empty Weight
1018	10,000	18' x 82.5"	Est. 1,900 lbs.
1020	10,000	20' x 82.5"	Est. 2,040 lbs.

STANDARD SPECIFICATIONS	1018 Beavertail	1020 Beavertail
Overall Width	102"	102"
Overall Length	23' 2"	25' 2"
Payload Capacity	8,150 lbs.	8,050 lbs.
Beavertail Length	24"	24"
Ramp Length	6'	6'
Tongue Length	57"	57"
Deck Height	25"	25"
Loading Angle	15°	15°
Wheel Size	15"	15"
Tires	ST225/75R15E - 10 ply	ST225/75R15E - 10 ply
Number of Lug Bolts	6 per wheel (24)	6 per wheel (24)
Axle/Suspension	Torsion	Torsion
Brakes	Electric Self-Adjusting	Electric Self-Adjusting
Coupler	2-5/16"	2-5/16"
Coupler Position	Fixed	Fixed
Jack Style	Side Crank	Side Crank
Jack Rating	3,000 lbs.	3,000 lbs.
Tie-Downs	(4) D-Rings in Deck, (4) D-Rings in L-Track	(4) D-Rings in Deck, (4) D-Rings in L-Track
Lighting	LED	LED



## SPLIT TILT DECK SYSTEM

Deck is able to be raised and lowered by optimizing an adjustable hydraulic cylinder system to allow for ease of use and safety when loading and unloading equipment without requiring ramps, and gives more control to the operator. Each trailer features a stationary deck for the ability of loading attachments or other forms of equipment.



## DECK OVER SYSTEM

Deck is constructed over the wheels, offering optimal load surface and strength. Each trailer features manual spring assist ramps that fold and can be locked in vertical or horizontal position, and concealable sidestep.



## GOOSENECK SYSTEM

Our gooseneck trailers are engineered for heavy-duty hauling, featuring a hitch that connects to a ball in the bed of a pickup truck. This design offers exceptional stability, balance, and weight distribution compared to standard bumper-pull trailers.



## DUMP SYSTEM

Our aluminum dump trailer delivers unmatched durability without the added weight of steel. Built for strength, corrosion resistance, and long-term performance, it's designed to haul more while towing easier.



**SPLIT TILT DECK SYSTEM**

Model	GVW	Usable Deck Size	Empty Weight
1420	14,000	16' + 4' x 82-3/8"	Est. 2,680 lbs.
1424	14,000	18' + 6' x 82- 3/8"	Est. 3,000 lbs.

STANDARD SPECIFICATIONS	1420	1424
Overall Width	102"	102"
Overall Length	24' 6"	28' 6"
Payload Capacity	11,320 lbs.	11,000 lbs.
Stationary Deck Length	4'	6'
Tilt Deck Length	16'	18'
Tongue Length	56"	56"
Deck Height	22"	22"
Loading Angle	12°	11.5°
Wheel Size	16"	16"
Tires	ST225/75R15E - 10 ply	ST225/75R15E - 10 ply
Number of Lug Bolts	8 per wheel (32)	8 per wheel (32)
Axle	Fixed	Fixed
Suspension	Rubber Torsion	Rubber Torsion
Brakes	Electric Self-Adjusting	Electric Self-Adjusting
Coupler	2-5/16"	2-5/16"
Coupler Position	Adjustable	Adjustable
Jack Style	Side Crank	Side Crank
Jack Rating	12,000 lbs.	12,000 lbs.
Stake Pockets	18	18
Lighting	LED	LED

# POWERHOUSE MODELS



Model	GVW	Usable Deck Size	Empty Weight
1420 DO	14,000	20' x 97-3/4"	Est. 3,200 lbs.

## 14K DECK OVER SERIES



DECK OVER SYSTEMS

STANDARD SPECIFICATIONS	1420 DO
Overall Width	102"
Overall Length	25' 8"
Payload Capacity	10,800 lbs.
Tongue Length	56"
Ramp Length	Approx. 5'
Deck Height	35"
Loading Angle	14°
Overall Deck Length	20'
Dovetail Length	54"
Wheel Size	16"
Tires	ST225/75R15E - 10 ply
Number of Lug Bolts	8 per wheel (32)
Axle	Fixed
Suspension	Rubber Torsion
Brakes	Electric Self-Adjusting
Coupler	2-5/16"
Coupler Position	Adjustable
Jack Style	Side Crank
Jack Rating	12,000 lbs.
Stake Pockets	12
Lighting	LED



**SPLIT TILT DECK SYSTEM**

Model	GVW	Usable Deck Size	Empty Weight
1624	16,000	18' + 6' x 82-3/8"	Est. 3,200 lbs.

STANDARD SPECIFICATIONS	1624
Overall Width	102"
Overall Length	29' 1"
Payload Capacity	12,800 lbs.
Tongue Length	56"
Stationary Deck	6'
Tilt Deck	18'
Deck Height	22"
Loading Angle	12°
Wheel Size	16"
Tires	ST235/80R16G - 14 ply
Number of Lug Bolts	8 per wheel (32)
Axle/Suspension	Torsion
Brakes	Electric Self-Adjusting
Coupler	2-5/16"
Coupler Position	Adjustable
Jack Style	Side Crank
Jack Rating	12,000 lbs.
Stake Pockets	18
Lighting	LED

# POWERHOUSE MODELS



## GOOSENECK SYSTEM

### Standard Features

Toolbox with Chain Rack

Chain Tray

Spare Tire

Spare Tire Mount

Front Bump Rail

Model	GVW	Usable Deck Size	Empty Weight
1620 GN DO	16,000	20' x 98.25"	Est. 3,460 lbs.
1626 GN DO	16,000	25'-4" x 98.25"	Est. 3,780 lbs.

STANDARD SPECIFICATIONS	1620 GN DO	1626 GN DO
Overall Width	102"	102"
Overall Length	28'	32'
Payload Capacity	12,480 lbs.	12,220 lbs.
Ramp Length	Approx. 4'	Approx. 4'
Tongue Length	96"	96"
Deck Height	35"	35"
Loading Angle	14°	14°
Overall Deck Length	20'	25'-4"
Dovetail Length	60"	60"
Wheel Size	16"	16"
Tires	ST235/80R16G - 14 ply	ST235/80R16G - 14 ply
Number of Lug Bolts	8 per wheel (32)	8 per wheel (32)
Axle	7K Fixed	7K Fixed
Suspension	Rubber Torsion	Rubber Torsion
Brakes	Electric Self-Adjusting	Electric Self-Adjusting
Coupler	2-5/16"	2-5/16"
Coupler Position	Adjustable	Adjustable
Jack Style	Dual 12K Jacks	Dual 12K Jacks
Jack Rating	12,000 lbs. each (24,000 lbs. total)	12,000 lbs. each (24,000 lbs. total)
Stake Pockets	12 per side (24 total)	14 per side (28 total)
Lighting	LED	LED



## 12K HEAVY DUTY SERIES

BUILT WITH TRUE 8K AXLES



### GOOSENECK SYSTEM

#### Standard Features

Toolbox with Chain Rack

Chain Tray

Spare Tire

Spare Tire Mount

Front Bump Rail

Model	GVW	Usable Deck Size	Empty Weight
1620 GN DO HD	16,000	20' x 98.25"	Est. 3,530 lbs.
1626 GN DO HD	16,000	25'-4" x 98.25"	Est. 3,860 lbs.

STANDARD SPECIFICATIONS	1620 GN DO HD	1626 GN DO HD
Overall Width	102"	102"
Overall Length	28'	32'
Payload Capacity	12,540 lbs.	12,140 lbs.
Ramp Length	Approx. 4'	Approx. 4'
Tongue Length	96"	96"
Deck Height	35"	35"
Loading Angle	14°	14°
Overall Deck Length	20'	25'-4"
Dovetail Length	60"	60"
Wheel Size	16"	16"
Tires	ST235/80R16G - 14 ply	ST235/80R16G - 14 ply
Number of Lug Bolts	8 per wheel (32)	8 per wheel (32)
Axle	8K Fixed	8K Fixed
Suspension	Rubber Torsion	Rubber Torsion
Brakes	Electric Self-Adjusting	Electric Self-Adjusting
Coupler	2-5/16"	2-5/16"
Coupler Position	Adjustable	Adjustable
Jack Style	Dual 12K Jacks	Dual 12K Jacks
Jack Rating	12,000 lbs. each (24,000 lbs. total)	12,000 lbs. each (24,000 lbs. total)
Stake Pockets	12 per side (24 total)	14 per side (28 total)
Lighting	LED	LED

# POWERHOUSE MODELS



## Industry-Leading Standard Features

Aluminum Construction with No Structural Welds

Thunderstone Mesh Tarp

(4) Box Mounted D-Rings

Dual Function Rear Gate (Barn Door/Spreader Combo)

Large Capacity A-Frame Toolbox

Spare Tire & Mount

Rear Stabilizers

Tarp Tie-Downs

Safety Bar/Lock

Serviceable Box Floor

## Available Accessories

1' Add-Ons for Additional Side Wall Height (3' and 4' Options)

Dimensional Lumber/Extrusion Holders for Top of Box

Hydraulic Jack (Easy Swap)

UHMW Liner

Solar Panel Charger

Additional Box Mounted D-Rings

Additional Removable Stake Pocket D-Rings

## STANDARD SPECIFICATIONS

	1414 Dump	1416 Dump
GVWR	14,000 lbs.	14,000 lbs.
Empty Weight	Est. 3,460 lbs.	Est. 3,640 lbs.
Payload Capacity	10,540 lbs.	10,360 lbs.
Box Length	14'	16'
Box Inside Width	82"	82"
Overall Width	102"	102"
Box Floor Construction	Fully-Boxed Extrusion with 3/16" Top & 1/8" Bottom	Fully-Boxed Extrusion with 3/16" Top & 1/8" Bottom
Box Side Height	24"	24"
Hoist Type	Dexter Scissor	Dexter Scissor
Rear Gate	Barn door/Spreader Combo	Barn door/Spreader Combo
Tarp	Full-Length Mesh Tarp	Full-Length Mesh Tarp
Wheel Size	16"	16"
Tires	ST235/80R16 - 10 ply	ST235/80R16 - 10 ply
Number of Lug Bolts	8 per wheel (32)	8 per wheel (32)
Axle Rating	7K	7K
Suspension	Rubber Torsion	Rubber Torsion
Brakes	Electric Self-Adjusting	Electric Self-Adjusting
Coupler	2-5/16"	2-5/16"
Coupler Position	Adjustable	Adjustable
Jack Style	Jost Spring Extended Landing Leg	Jost Spring Extended Landing Leg
Jack Rating	12,000 lbs.	12,000 lbs.
Stake Pockets	4 per side (8 total)	4 per side (8 total)
Lighting	LED	LED



**Industry-Leading Standard Features**

Aluminum Construction with No Structural Welds

Thunderstone Mesh Tarp

(4) Box Mounted D-Rings

Dual Function Rear Gate (Barn Door/Spreader Combo)

Large Capacity A-Frame Toolbox

Spare Tire & Mount

Rear Stabilizers

Tarp Tie-Downs

Safety Bar/Lock

Serviceable Box Floor

**Available Accessories**

1' Add-Ons for Additional Side Wall Height (3' and 4' Options)

Dimensional Lumber/Extrusion Holders for Top of Box

Hydraulic Jack (Easy Swap)

UHMW Liner

Solar Panel Charger

Additional Box Mounted D-Rings

Additional Removable Stake Pocket D-Rings

STANDARD SPECIFICATIONS	1614 Dump	1616 Dump
GVWR	16,000 lbs.	16,000 lbs.
Empty Weight	Est. 3,600 lbs.	Est. 3,790 lbs.
Payload Capacity	12,400 lbs.	12,210 lbs.
Box Length	14'	16'
Box Inside Width	82"	82"
Overall Width	102"	102"
Box Floor Thickness	Fully-Boxed Extrusion with 3/16" Top & 1/8" Bottom	Fully-Boxed Extrusion with 3/16" Top & 1/8" Bottom
Box Side Height	24"	24"
Hoist Type	Dexter Scissor	Dexter Scissor
Rear Gate	Barn door/Spreader Combo	Barn door/Spreader Combo
Tarp	Full-Length Mesh Tarp	Full-Length Mesh Tarp
Wheel Size	16"	16"
Tires	ST235/80R16 - 14 ply	ST235/80R16 - 14 ply
Number of Lug Bolts	8 per wheel (32)	8 per wheel (32)
Axle Rating	8K	8K
Suspension	Rubber Torsion	Rubber Torsion
Brakes	Electric Self-Adjusting	Electric Self-Adjusting
Coupler	2-5/16"	2-5/16"
Coupler Position	Adjustable	Adjustable
Jack Style	Jost Spring Extended Landing Leg	Jost Spring Extended Landing Leg
Jack Rating	12,000 lbs.	12,000 lbs.
Stake Pockets	4 per side (8 total)	4 per side (8 total)
Lighting	LED	LED

# ACCESSORIES

## TIRE RACK

PART NO.	DESCRIPTION	UNIT
577-303030	7K & 10K Torsion - Gun Metal Gray	EA
577-303173	7K & 10K Torsion	EA
577-303044	Leaf Spring & 5K Torsion - Gun Metal Gray	EA
577-302132	Leaf Spring & 5K Torsion	EA



## ROCK GUARD

PART NO.	DESCRIPTION	UNIT
577-303025	7K & 10K Torsion - Gun Metal Gray	EA
577-303168	7K & 10K Torsion	EA
577-303041	Leaf Spring & 5K Torsion - Gun Metal Gray	EA
577-302023	Leaf Spring & 5K Torsion	EA



## SPARE TIRE - TRINITY STYLE

PART NO.	DESCRIPTION	UNIT
150134	5K & 10K Tire Option	EA
150133	7K EZ Load Tire Option	EA
150132	7K Ramped Tire Option	EA
150135	14K Tire Option	EA
150138	16K Tire Option	EA



## SPARE TIRE MOUNT (INCLUDES HARDWARE)

PART NO.	DESCRIPTION	UNIT
577-300387	5K, 7K, 10K Spare Tire Mount	EA
577-301625	Universal Stake Pocket Tire Mount	EA



## WHEEL RATCHET STRAP

PART NO.	DESCRIPTION	UNIT
035-300569	Wheel Ratchet Strap	EA



## TIE-DOWNS

PART NO.	DESCRIPTION	UNIT
035-301453	L-Track D-Ring Tie Down	EA



## SOLAR PANEL

PART NO.	DESCRIPTION	UNIT
575-300504	Solar Panel - EZ Load	EA
187068	Solar Panel - Dump Trailers	EA



## LOADING WINCH KIT

PART NO.	DESCRIPTION	UNIT
575-303112	EZ Load Loading Winch Kit - 4,500 lbs.	EA
183674	Gooseneck Loading Winch Kit - 12,500 lbs.	EA



## STAKE POCKETS

PART NO.	DESCRIPTION	UNIT
577-300562	Leaf Spring & 5K Torsion	One Pair
577-303174	7K & 10K Torsion	One Pair



## 14K & 16K TOOLBOX

PART NO.	DESCRIPTION	UNIT
710-301825	14K & 16K Toolbox	EA



## TOOLBOX EXTENSION

PART NO.	DESCRIPTION	UNIT
186832	Toolbox Extension (Gun Metal Gray)	EA



## STAKE POCKET D-RING

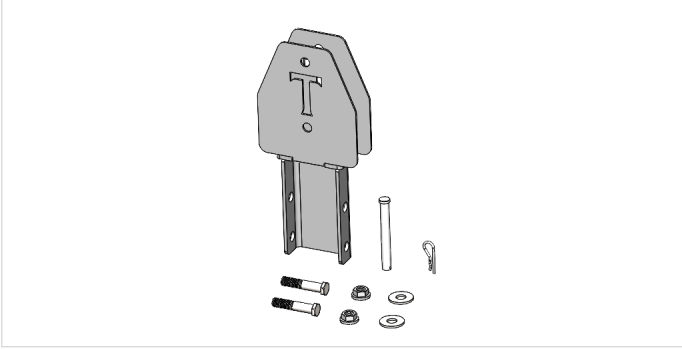
PART NO.	DESCRIPTION	UNIT
182985	14K & 16K Stake Pocket D-Ring	EA



# ACCESSORIES

## BOARD HOLDER

PART NO.	DESCRIPTION	UNIT
186847	14K & 16K Dump Trailer Board Holder	EA



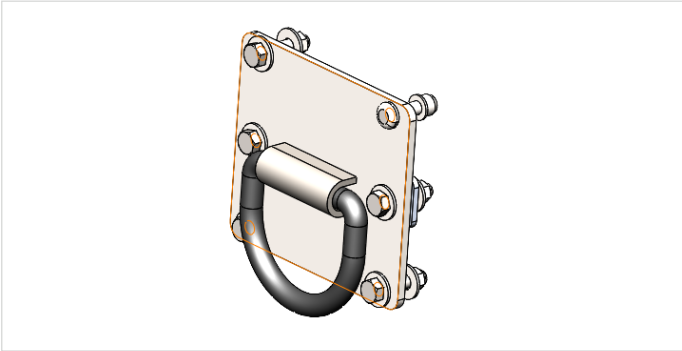
## HYDRAULIC JACK

PART NO.	DESCRIPTION	UNIT
187170	14K & 16K Dump Trailer Hydraulic Jack	EA



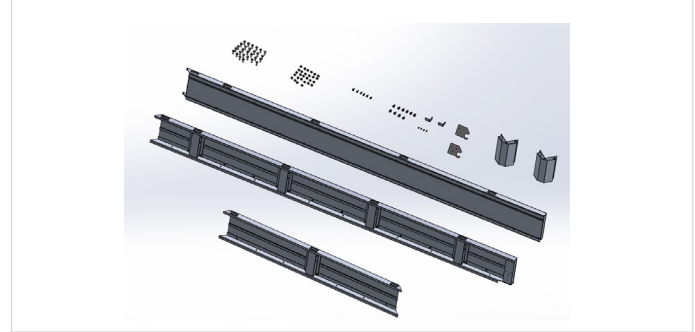
## BOX MOUNTED D-RING

PART NO.	DESCRIPTION	UNIT
186817	14K & 16K Dump Trailer Box Mounted D-Ring	EA



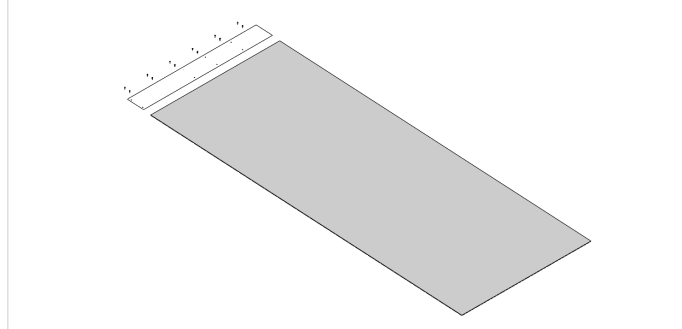
## 1' BOX EXTENSIONS

PART NO.	DESCRIPTION	UNIT
187094	14' Dump Trailer 1' Box Extension Kit	EA
187105	16' Dump Trailer 1' Box Extension Kit	EA



## BOX LINER

PART NO.	DESCRIPTION	UNIT
187066	14' Dump Trailer Box Liner	EA
187065	16' Dump Trailer Box Liner	EA







# TIMPTE

TIMPTE IS A PROUD MEMBER OF THE FOLLOWING INDUSTRY ASSOCIATIONS:



TIMPTE IS PLEASED TO OFFER OUR DISTRIBUTION PARTNERS AND VALUED END-CUSTOMERS FINANCIAL SERVICES FROM THE FOLLOWING RESPECTED COMPANIES:

